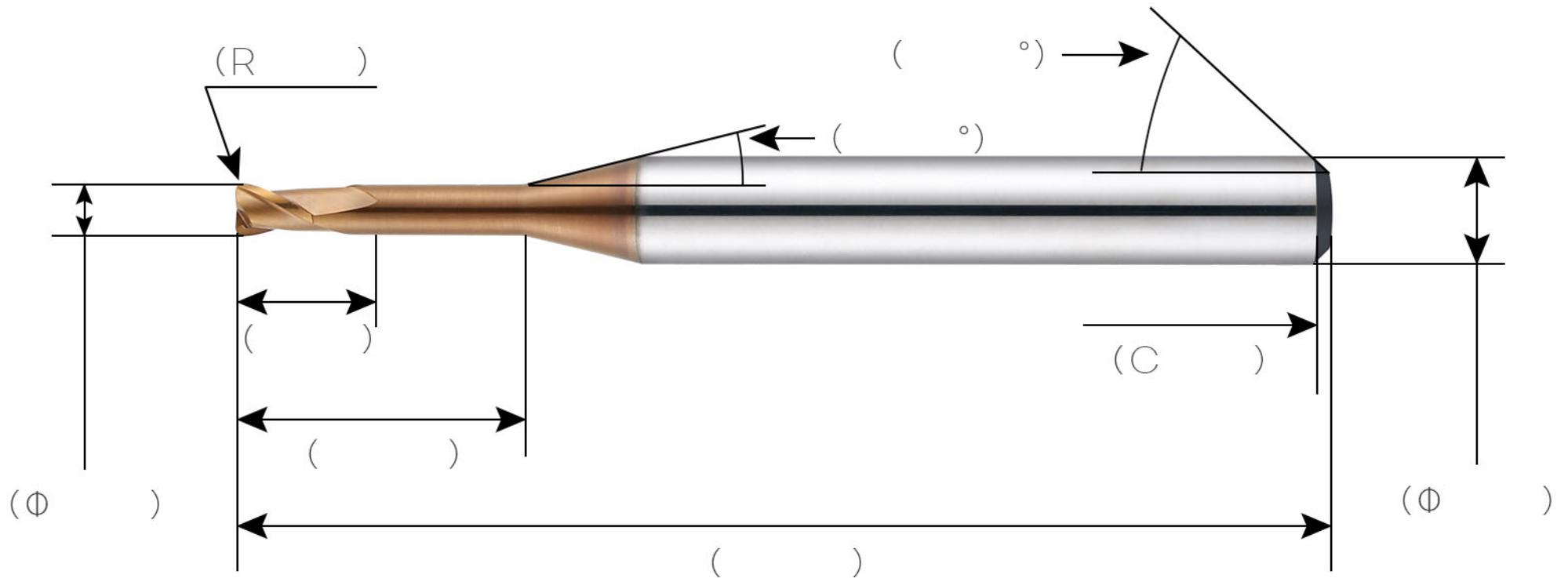


# 리브 코너 R 엔드밀 도면 Rib Corner Radius End Mill

Date		Company	
Dimension		Coating	
Note			



# 코너 R 엔드밀 도면 Corner Radius End Mill

Date	Company
Dimension	Coating
Note	

